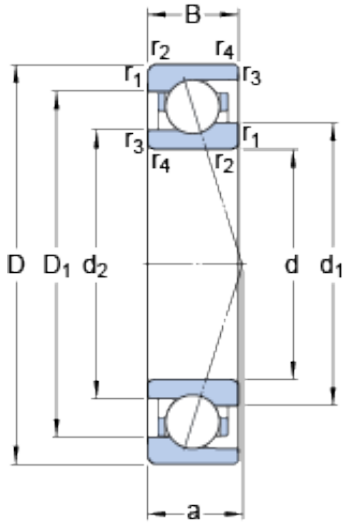




NTL BEARINGS LTD.

71914 CE/P4A SKF High Speed Angular Contact Ball Bearings

Bearing No. 71914 CE/P4A



71914 CE/P4A Bearing 2D drawings and 3D CAD models

Size	100x70x16 mm
Bore Diameter	100 mm
Outer Diameter	70 mm
Width	16 mm
d	70 mm
D	100 mm
B	16 mm
d ₁	79.3 mm
d ₂	76.8 mm
D ₁	90.52 mm
r _{1,2} - min.	1 mm
r _{3,4} - min.	0.3 mm
a	20 mm
d _a - min.	74.6 mm
d _b - min.	72 mm
D _a - max.	95.4 mm
D _b - max.	98 mm
r _a - max.	1 mm
r _b - max.	0.3 mm
d _n	81.5 mm
Basic dynamic load rating - C	22.1 kN
Basic static load rating - C ₀	16.3 kN
Fatigue load limit - P _u	0.68 kN
Limiting speed for grease	18500 r/min



NTL BEARINGS LTD.

Lubrication	
Limiting speed for oil lubrication	28000 mm/min
Ball - D_w	9.525 mm
Ball - z	22
G_{ref}	4.3 cm ³
Calculation factor - f_0	8.4
Preload class A - G_A	120 N
Preload class B - G_B	360 N
Preload class C - G_C	710 N
Calculation factor - f	1.14
Calculation factor - f	1
Calculation factor - f_{2A}	1
Calculation factor - f_{2B}	1.04
Calculation factor - f_{2C}	1.08
Calculation factor - f_{HC}	1
Preload class A	52 N/micron
Preload class B	83 N/micron
Preload class C	113 N/micron
Category	Precision Ball Bearings
Inventory	0.0
Manufacturer Name	SKF
Minimum Buy Quantity	N/A
Weight / Kilogram	0
Product Group	B04270
Enclosure	Open
Precision Class	ABEC 7 ISO P4
Material - Ball	Steel
Number of Bearings	1 (Single)
Contact Angle	15 Degree
Preload	None



NTL BEARINGS LTD.

Raceway Style	1 Rib Inner Ring and Outer Ring
Cage Material	Phenolic
Rolling Element	Ball Bearing
Flush Ground	No
Inch - Metric	Metric
Other Features	Single Row Angular Contact High Speed E Design
Long Description	70MM Bore; 100MM Outside Diameter; 16MM Width; Open Enclosure; ABEC 7 ISO P4 Precision; Steel Ball Material; 1 (Single) Bearing; 15 Degree Contact Angle; Phenolic Cage Material; 1 Rib Inner Ring and
Category	Precision Ball Bearings
UNSPSC	31171531
Harmonized Tariff Code	8482.10.50.28
Noun	Bearing
Keyword String	Ball Angular Contact
Manufacturer URL	http://www.skf.com
Width	0.63 Inch 16 Millimeter
Outside Diameter	3.937 Inch 100 Millimeter
Bore	2.756 Inch 70 Millimeter
d_1	79.3 mm
d_2	76.8 mm
D_1	90.52 mm
$r_{1,2}$ min.	1 mm
$r_{3,4}$ min.	0.3 mm
d_a min.	74.6 mm
d_b min.	72 mm
D_a max.	95.4 mm
D_b max.	98 mm



NTL BEARINGS LTD.

r_a max.	1 mm
r_b max.	0.3 mm
d_n	81.5 mm
Basic dynamic load rating C	22.1 kN
Basic static load rating C_0	16.3 kN
Fatigue load limit P_u	0.68 kN
Attainable speed for grease lubrication	18500 r/min
Attainable speed for oil-air lubrication	28000 r/min
Ball diameter D_w	9.525 mm
Number of balls z	22
Reference grease quantity G_{ref}	4.3 cm ³
Preload class A G_A	120 N
Static axial stiffness, preload class A	52 N/ μ m
Preload class B G_B	360 N
Static axial stiffness, preload class B	83 N/ μ m
Preload class C G_C	710 N
Static axial stiffness, preload class C	113 N/ μ m
Calculation factor f	1.14
Calculation factor f_1	1
Calculation factor f_{2A}	1
Calculation factor f_{2B}	1.04
Calculation factor f_{2C}	1.08
Calculation factor f_{HC}	1
Calculation factor f_0	8.4
Mass bearing	0.32 kg