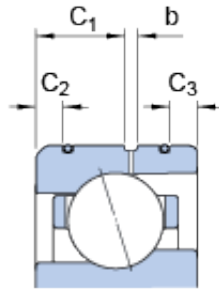
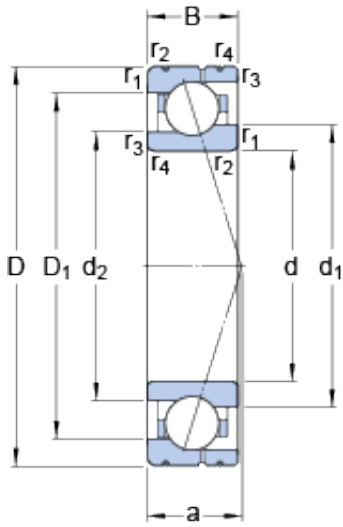




NTL BEARINGS LTD.



71914 CE/HCP4AL SKF High Speed Angular Contact Ball Bearings

Bearing No. 71914 CE/HCP4AL

71914 CE/HCP4AL Bearing 2D drawings and 3D CAD models

| | |
|-------------------------|--------------|
| Size | 100x70x16 mm |
| Bore Diameter | 100 mm |
| Outer Diameter | 70 mm |
| Width | 16 mm |
| d | 70 mm |
| D | 100 mm |
| B | 16 mm |
| d ₁ | 79.3 mm |
| d ₂ | 76.8 mm |
| D ₁ | 90.52 mm |
| b | 2 mm |
| C ₁ | 8.6 mm |
| C ₂ | 2.8 mm |
| C ₃ | 2.8 mm |
| r _{1,2} - min. | 1 mm |
| r _{3,4} - min. | 0.3 mm |
| a | 20 mm |
| d _a - min. | 74.6 mm |
| d _b - min. | 72 mm |
| D _a - max. | 95.4 mm |
| D _b - max. | 98 mm |
| r _a - max. | 1 mm |
| r _b - max. | 0.3 mm |
| d _n | 81.5 mm |
| | |



NTL BEARINGS LTD.

| | |
|---|---------------------|
| Basic dynamic load rating - C | 22.1 kN |
| Basic static load rating - C ₀ | 16.3 kN |
| Fatigue load limit - P _u | 0.68 kN |
| Limiting speed for grease lubrication | 22000 r/min |
| Limiting speed for oil lubrication | 34000 mm/min |
| Ball - D _w | 9.525 mm |
| Ball - z | 22 |
| G _{ref} | 4.3 cm ³ |
| Calculation factor - f ₀ | 8.4 |
| Preload class A - G _A | 120 N |
| Preload class B - G _B | 360 N |
| Preload class C - G _C | 710 N |
| Calculation factor - f | 1.14 |
| Calculation factor - f | 1 |
| Calculation factor - f _{2A} | 1 |
| Calculation factor - f _{2B} | 1.05 |
| Calculation factor - f _{2C} | 1.09 |
| Calculation factor - f _{HC} | 1.01 |
| Preload class A | 58 N/micron |
| Preload class B | 92 N/micron |
| Preload class C | 125 N/micron |
| d ₁ | 79.3 mm |
| d ₂ | 76.8 mm |
| D ₁ | 90.52 mm |
| C ₁ | 8.6 mm |
| C ₂ | 2.8 mm |
| C ₃ | 2.8 mm |
| r _{1,2} min. | 1 mm |



NTL BEARINGS LTD.

| | |
|--|---------------------|
| $r_{3,4}$ min. | 0.3 mm |
| d_a min. | 74.6 mm |
| d_b min. | 72 mm |
| D_a max. | 95.4 mm |
| D_b max. | 98 mm |
| r_a max. | 1 mm |
| r_b max. | 0.3 mm |
| d_n | 81.5 mm |
| Basic dynamic load rating C | 22.1 kN |
| Basic static load rating C_0 | 16.3 kN |
| Fatigue load limit P_u | 0.68 kN |
| Attainable speed for grease lubrication | 22000 r/min |
| Attainable speed for oil-air lubrication | 34000 r/min |
| Ball diameter D_w | 9.525 mm |
| Number of balls z | 22 |
| Reference grease quantity G_{ref} | 4.3 cm ³ |
| Preload class A G_A | 120 N |
| Static axial stiffness, preload class A | 58 N/ μ m |
| Preload class B G_B | 360 N |
| Static axial stiffness, preload class B | 92 N/ μ m |
| Preload class C G_C | 710 N |
| Static axial stiffness, preload class C | 125 N/ μ m |
| Calculation factor f | 1.14 |
| Calculation factor f_1 | 1 |
| Calculation factor f_{2A} | 1 |
| Calculation factor f_{2B} | 1.05 |
| Calculation factor f_{2C} | 1.09 |
| Calculation factor f_{HC} | 1.01 |



NTL BEARINGS LTD.

| | |
|--------------------------|---------|
| Calculation factor f_0 | 8.4 |
| Mass bearing | 0.27 kg |