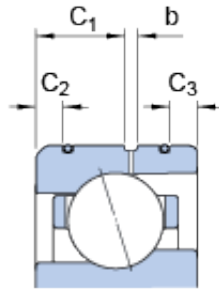
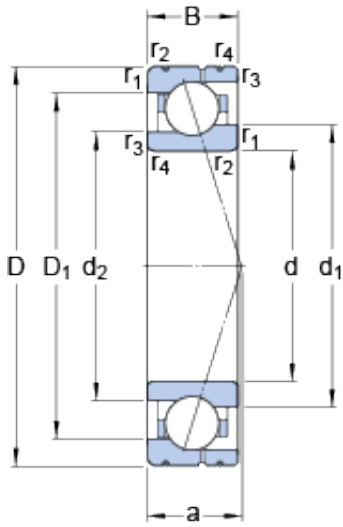




# NTL BEARINGS LTD.



## 71914 ACE/P4AL SKF High Speed Angular Contact Ball Bearings

Bearing No. 71914 ACE/P4AL

71914 ACE/P4AL Bearing 2D drawings and 3D CAD models

Size	100x70x16 mm
Bore Diameter	100 mm
Outer Diameter	70 mm
Width	16 mm
d	70 mm
D	100 mm
B	16 mm
d <sub>1</sub>	79.3 mm
d <sub>2</sub>	76.8 mm
D <sub>1</sub>	90.52 mm
b	2 mm
C <sub>1</sub>	8.6 mm
C <sub>2</sub>	2.8 mm
C <sub>3</sub>	2.8 mm
r <sub>1,2</sub> - min.	1 mm
r <sub>3,4</sub> - min.	0.3 mm
a	29.1 mm
d <sub>a</sub> - min.	74.6 mm
d <sub>b</sub> - min.	72 mm
D <sub>a</sub> - max.	95.4 mm
D <sub>b</sub> - max.	98 mm
r <sub>a</sub> - max.	1 mm
r <sub>b</sub> - max.	0.3 mm
d <sub>n</sub>	81.5 mm



## NTL BEARINGS LTD.

Basic dynamic load rating - C	20.8 kN
Basic static load rating - C <sub>0</sub>	15.3 kN
Fatigue load limit - P <sub>u</sub>	0.655 kN
Limiting speed for grease lubrication	16500 r/min
Limiting speed for oil lubrication	26000 mm/min
Ball - D <sub>w</sub>	9.525 mm
Ball - z	22
G <sub>ref</sub>	4.3 cm <sup>3</sup>
Calculation factor - e	0.68
Calculation factor - Y <sub>2</sub>	0.87
Calculation factor - Y <sub>0</sub>	0.38
Calculation factor - X <sub>2</sub>	0.41
Calculation factor - Y <sub>1</sub>	0.92
Calculation factor - Y <sub>2</sub>	1.41
Calculation factor - Y <sub>0</sub>	0.76
Calculation factor - X <sub>2</sub>	0.67
Preload class A - G <sub>A</sub>	190 N
Preload class B - G <sub>B</sub>	570 N
Preload class C - G <sub>C</sub>	1130 N
Calculation factor - f	1.14
Calculation factor - f <sub>1</sub>	0.99
Calculation factor - f <sub>2A</sub>	1
Calculation factor - f <sub>2B</sub>	1.04
Calculation factor - f <sub>2C</sub>	1.07
Calculation factor - f <sub>HC</sub>	1
Preload class A	131 N/micron
Preload class B	197 N/micron



## NTL BEARINGS LTD.

Preload class C	258 N/micron
$d_1$	79.3 mm
$d_2$	76.8 mm
$D_1$	90.52 mm
$C_1$	8.6 mm
$C_2$	2.8 mm
$C_3$	2.8 mm
$r_{1,2}$ min.	1 mm
$r_{3,4}$ min.	0.3 mm
$d_a$ min.	74.6 mm
$d_b$ min.	72 mm
$D_a$ max.	95.4 mm
$D_b$ max.	98 mm
$r_a$ max.	1 mm
$r_b$ max.	0.3 mm
$d_n$	81.5 mm
Basic dynamic load rating C	20.8 kN
Basic static load rating $C_0$	15.3 kN
Fatigue load limit $P_u$	0.655 kN
Attainable speed for grease lubrication	16500 r/min
Attainable speed for oil-air lubrication	26000 r/min
Ball diameter $D_w$	9.525 mm
Number of balls z	22
Reference grease quantity $G_{ref}$	4.3 cm <sup>3</sup>
Preload class A $G_A$	190 N
Static axial stiffness, preload class A	131 N/ $\mu$ m
Preload class B $G_B$	570 N
Static axial stiffness, preload class B	197 N/ $\mu$ m
Preload class C $G_C$	1130 N



## NTL BEARINGS LTD.

Static axial stiffness, preload class C	258 N/ $\mu$ m
Calculation factor f	1.14
Calculation factor $f_1$	0.99
Calculation factor $f_{2A}$	1
Calculation factor $f_{2B}$	1.04
Calculation factor $f_{2C}$	1.07
Calculation factor $f_{HC}$	1
Calculation factor e	0.68
Calculation factor (single, tandem) $Y_2$	0.87
Calculation factor (single, tandem) $Y_0$	0.38
Calculation factor (single, tandem) $X_2$	0.41
Calculation factor (back-to-back, face-to-face) $Y_1$	0.92
Calculation factor (back-to-back, face-to-face) $Y_2$	1.41
Calculation factor (back-to-back, face-to-face) $Y_0$	0.76
Calculation factor (back-to-back, face-to-face) $X_2$	0.67
Mass bearing	0.32 kg