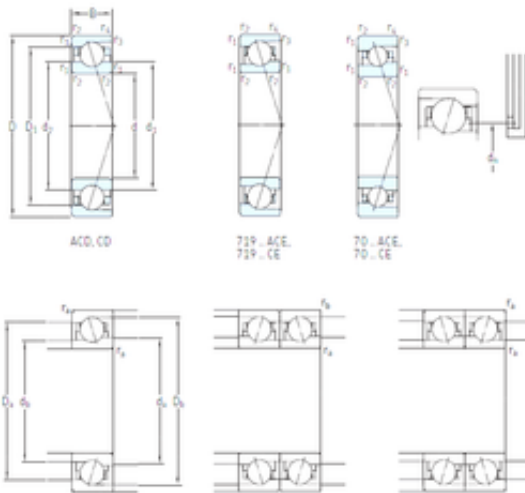




NTL BEARINGS LTD.

7013 ACB/HCP4A SKF High Speed Angular Contact Ball Bearings

Bearing No. 7013 ACB/HCP4A



7013 ACB/HCP4A Bearing 2D drawings and 3D CAD models

Size	65x100x18 mm
Bore Diameter	65 mm
Outer Diameter	100 mm
Width	18 mm
d	65 mm
D	100 mm
B	18 mm
C	18 mm
d1	78 mm
d2	76,4 mm
r1 min.	1,1 mm
r2 min.	1,1 mm
r3 min.	0,6 mm
r4 min.	0,6 mm
D1	89,7 mm
D2	89,7 mm
da min.	71 mm
Da max.	94 mm
db min	71 mm
ra max.	1 mm
rb max.	0,6 mm
dh	79 mm
Db max	96,8 mm
Weight	0,45 Kg
Basic dynamic load rating (C)	14,6 kN



NTL BEARINGS LTD.

Basic static load rating (C0)	12,2 kN
(Grease) Lubrication Speed	19 000 r/min
(Oil) Lubrication Speed	30 000 r/min
Fatigue load limit (Pu)	0,52
d ₁	78 mm
d ₂	76.36 mm
D ₂	89.69 mm
r _{1,2} min.	1.1 mm
r _{3,4} min.	0.6 mm
a	28.4 mm
d _a min.	71 mm
d _b min.	71 mm
D _a max.	94 mm
D _b max.	96.8 mm
r _a max.	1 mm
r _b max.	0.6 mm
d _n	79 mm
Basic dynamic load rating C	19 kN
Basic static load rating C ₀	20 kN
Fatigue load limit P _u	0.52 kN
Attainable speed for grease lubrication	19000 r/min
Attainable speed for oil-air lubrication	30000 r/min
Ball diameter D _w	7.144 mm
Number of balls z	27
Reference grease quantity G _{ref}	5.49 cm ³
Preload class A G _A	85 N
Static axial stiffness, preload class A	120 N/ μ m
Preload class B G _B	170 N
Static axial stiffness, preload class B	153 N/ μ m



NTL BEARINGS LTD.

Preload class C G_C	510 N
Static axial stiffness, preload class C	230 N/ μ m
Calculation factor f	1.07
Calculation factor f_1	0.99
Calculation factor f_{2A}	1
Calculation factor f_{2B}	1.02
Calculation factor f_{2C}	1.05
Calculation factor f_{HC}	1.01
Calculation factor e	0.68
Calculation factor (single, tandem) Y_2	0.87
Calculation factor (single, tandem) Y_0	0.38
Calculation factor (single, tandem) X_2	0.41
Calculation factor (back-to-back, face-to-face) Y_1	0.92
Calculation factor (back-to-back, face-to-face) Y_2	1.41
Calculation factor (back-to-back, face-to-face) Y_0	0.76
Calculation factor (back-to-back, face-to-face) X_2	0.67
Mass bearing	0.45 kg